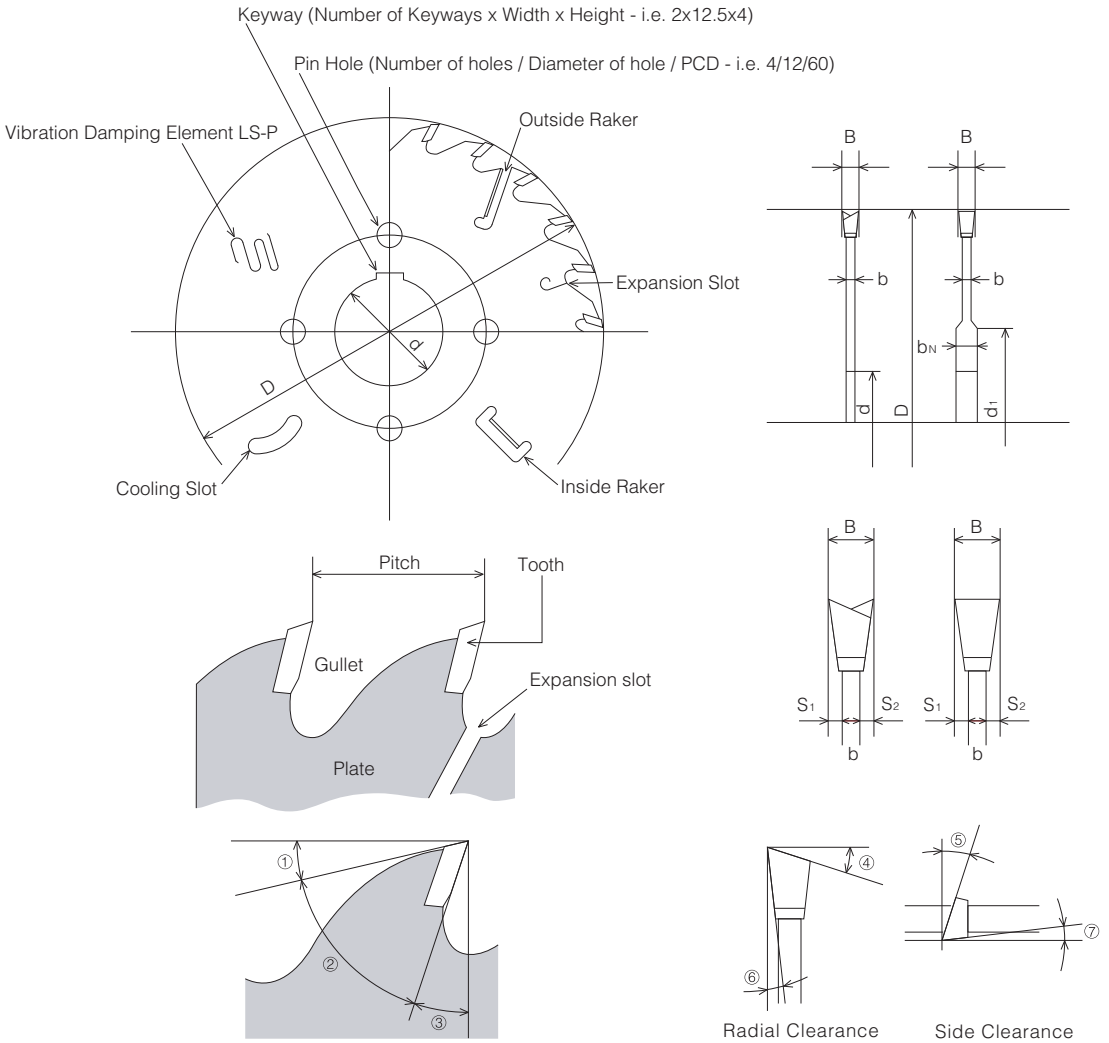


Saw Blade Specifications



Angle Designation

- ① Clearance Angle [α]
- ② Included Angle [β]
- ③ Hook Angle [γ]
- ④ Top Bevel Angle [ϵ]
- ⑤ Face Bevel Angle [λ]
- ⑥ Radial Clearance Angle [α_r]
- ⑦ Tangential Clearance Angle [α_t]

Diameter	D
Bore	d
Hub Diameter	d_1
Kerf	B
Plate Thickness	b
Hub Thickness	b_N
Number of Teeth	z
Side Clearance	S_1, S_2